

SERVICE MANUAL

SPLIT TYPE
AIR CONDITIONER

CASSETTE type (50Hz)

CONTENTS

SPECIFICATIONS	1
OUTLINE AND DIMENSIONS	2
CIRCUIT DIAGRAM	3
REFRIGERANT SYSTEM DIAGRAM	6
INDOOR PCB CIRCUIT DIAGRAM	7
DISASSEMBLY ILLUSTRATION	10
PARTS LIST	21
ACCESSORIES	27

Models	Indoor unit	Outdoor unit
	AUG54AGB3W	AOG54APA3L
	AUG54ALB3W	AOG54APA3L
	AUG54RLB3W	AOG54RPA3L
	AUY54AGB3W	AOY54APA3L
	AUY54ALB3W	AOY54APA3L
	AUY54RLB3W	AOY54RPA3L
	AUT54ALB3W	AOT54APA3L
	AUT54RLB3W	AOT54RPA3L



Большая библиотека технической документации

<https://splitsystema48.ru/instrukcii-po-ekspluatácii-kondicionerov.html>

каталоги, инструкции, сервисные мануалы, схемы.

SPECIFICATIONS

TYPE		COOLING		COOLING & HEATING
MODEL	IN	AUG54AGB3W AUJ54AGB3W	AUG54ALB3W AUJ54ALB3W AUT54ALB3W	AUG54RLB3W AUJ54RLB3W AUT54RLB3W
	OUT	AOG54APA3L AOY54APA3L	AOG54APA3L AOY54APA3L AOT54APA3L	AOG54RPA3L AOY54RPA3L AOT54RPA3L
COOLING CAPACITY (kW)		13.9 - 14.1		13.9 - 14.1
HEATING CAPACITY (kW)		-----		15.4 - 15.8

CURRENT (A)	COOL	9.0 - 8.9	9.0 - 8.9
	HEAT	-----	9.1 - 9.0
INPUT WATTS (kW)	COOL	5.20 - 5.25	5.20 - 5.25
	HEAT	-----	5.30 - 5.30
E.E.R. (kW/kW)	COOL	2.67 - 2.69	2.67 - 2.69
	HEAT	-----	2.91 - 2.93
STARTING CURRENT (A)		74	74
MOISTURE REMOVAL (ℓ/h)		5.5	5.5

FAN SPEED (r.p.m.)	INDOOR	HIGH	680	
		MED	580	
		LOW	500	
	OUTDOOR	770		
AIR FLOW (m³/h)	INDOOR	1,780		
	OUTDOOR	5,600		
DIMENSIONS H x W x D (mm)	IN	296 x 830 x 830		
	GRILLE	30 x 940 x 940		
	OUT	1,152 x 940 x 370		
WEIGHT NET / GROSS (kg)	IN	40 / 53		
	OUT	112 / 126	120 / 134	
MAX PIPE LENGTH / HEIGHT (m)		50 / 30		
REMOTE CONTROLLER TYPE		WIRELESS	WIRED	WIRED

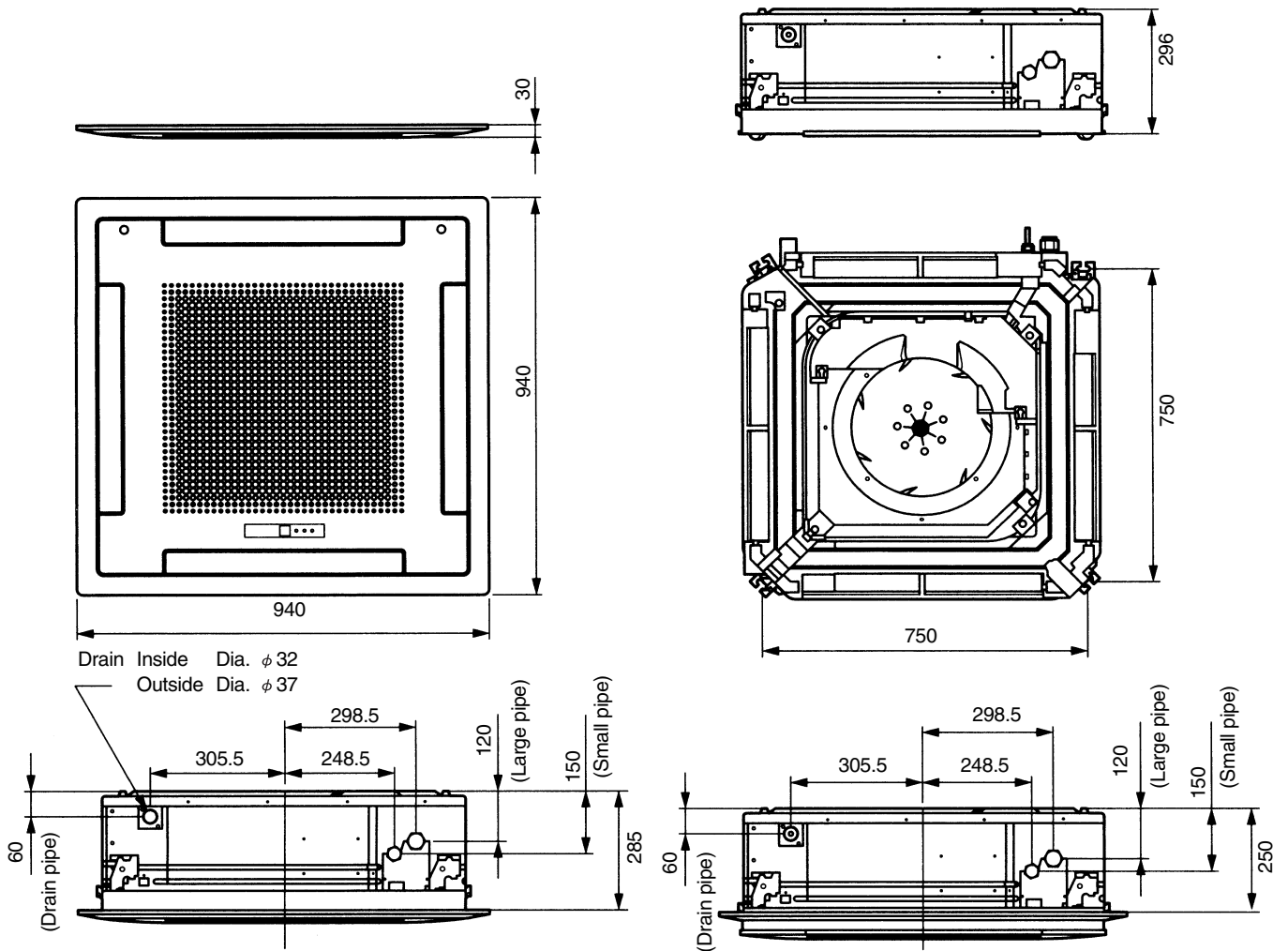
REFRIGERANT CHARGE AMOUNT (R-22)

FULL CHARGE AMOUNT	Pipe length 20 m (66 ft)	3,600 g (127.0 oz)	3,700 g (130.5 oz)
	25 m (82 ft)	3,800 g (134.0 oz)	3,950 g (139.3 oz)
	30 m (99 ft)	4,000 g (141.1 oz)	4,200 g (148.2 oz)
	40 m (132 ft)	4,400 g (155.2 oz)	4,700 g (165.8 oz)
	50 m (164 ft)	4,800 g (169.3 oz)	5,200 g (183.4 oz)
ADDITIONAL CHARGE		40 g/m (4.6 oz/ft)	50 g/m (5.8 oz/ft)

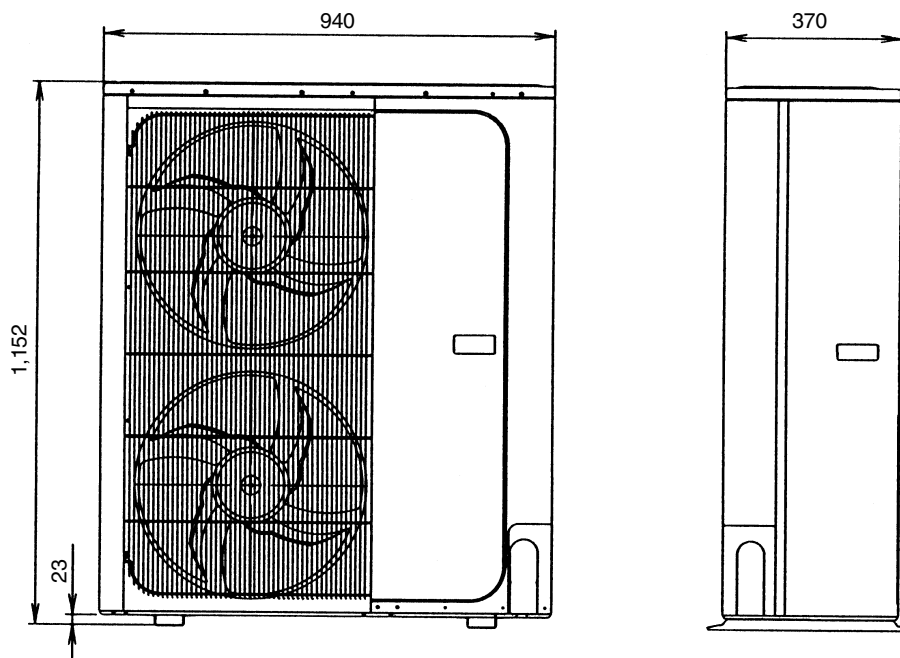
OUTLINE AND DIMENSIONS

Unit : mm

INDOOR UNIT

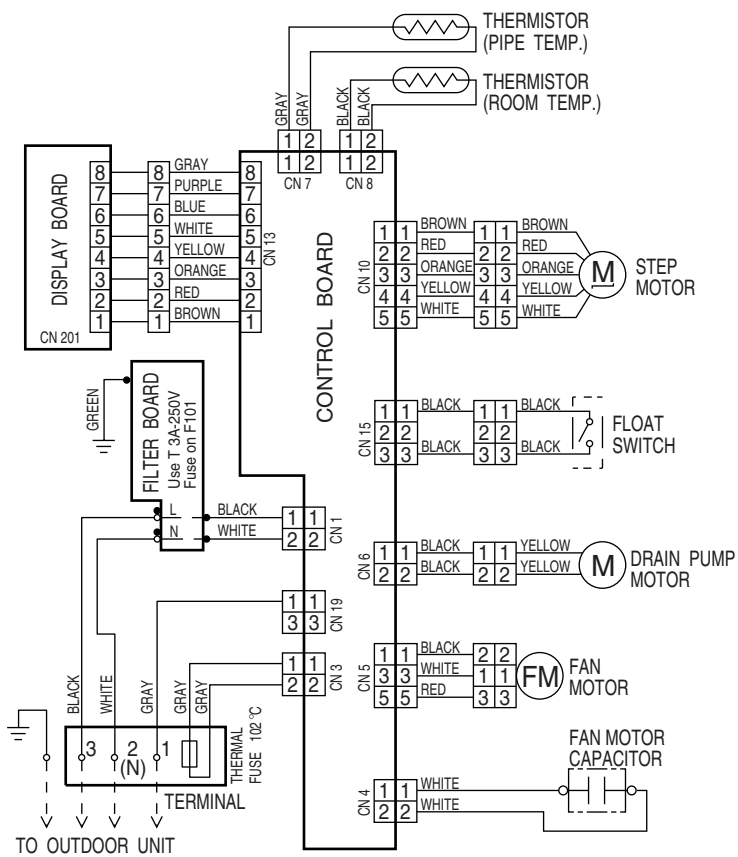


OUTDOOR UNIT

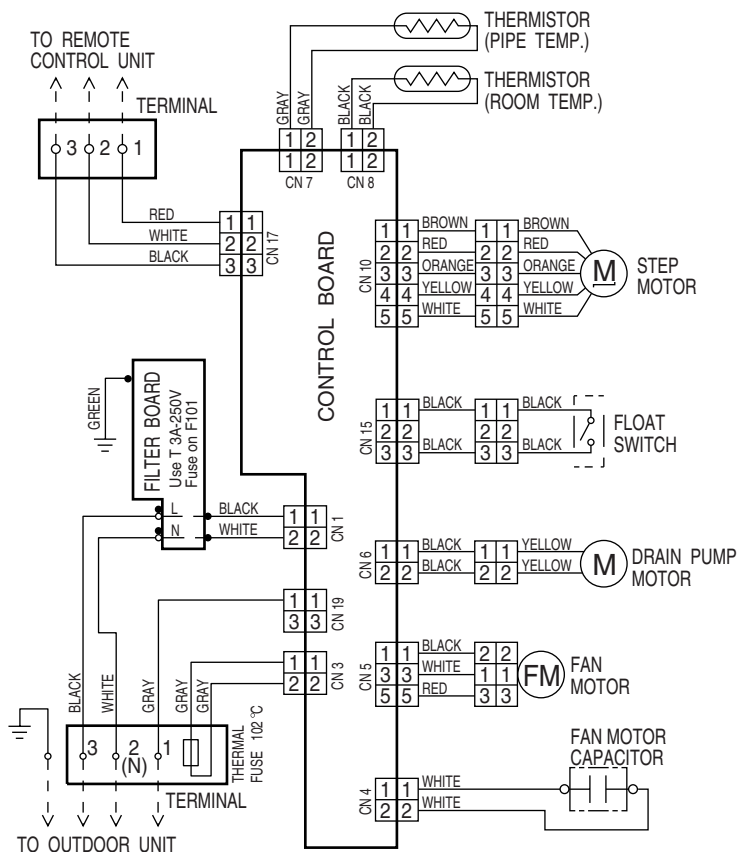


CIRCUIT DIAGRAM

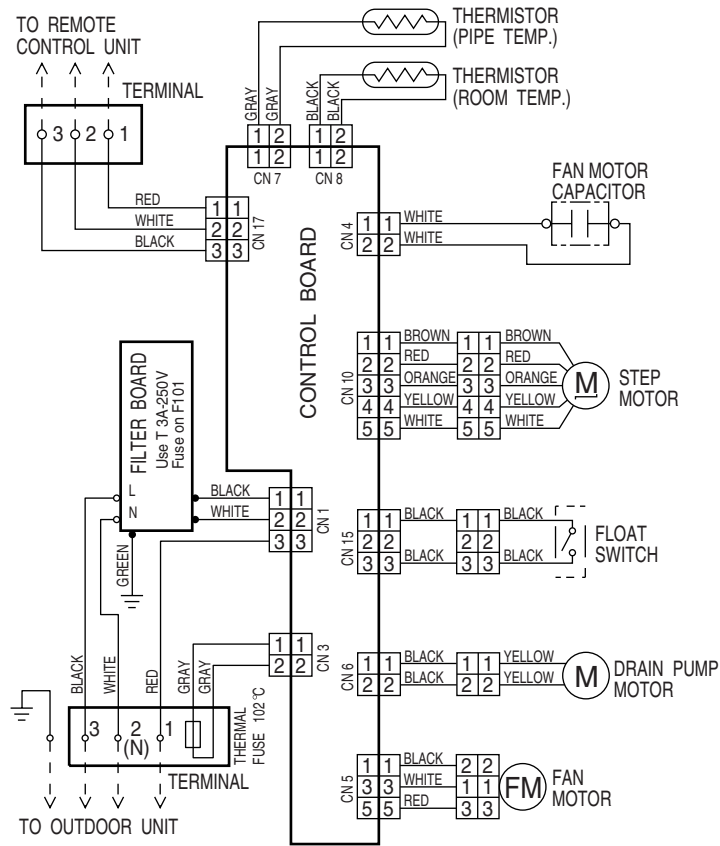
Models : AUG54AGB3W, AUY54AGB3W



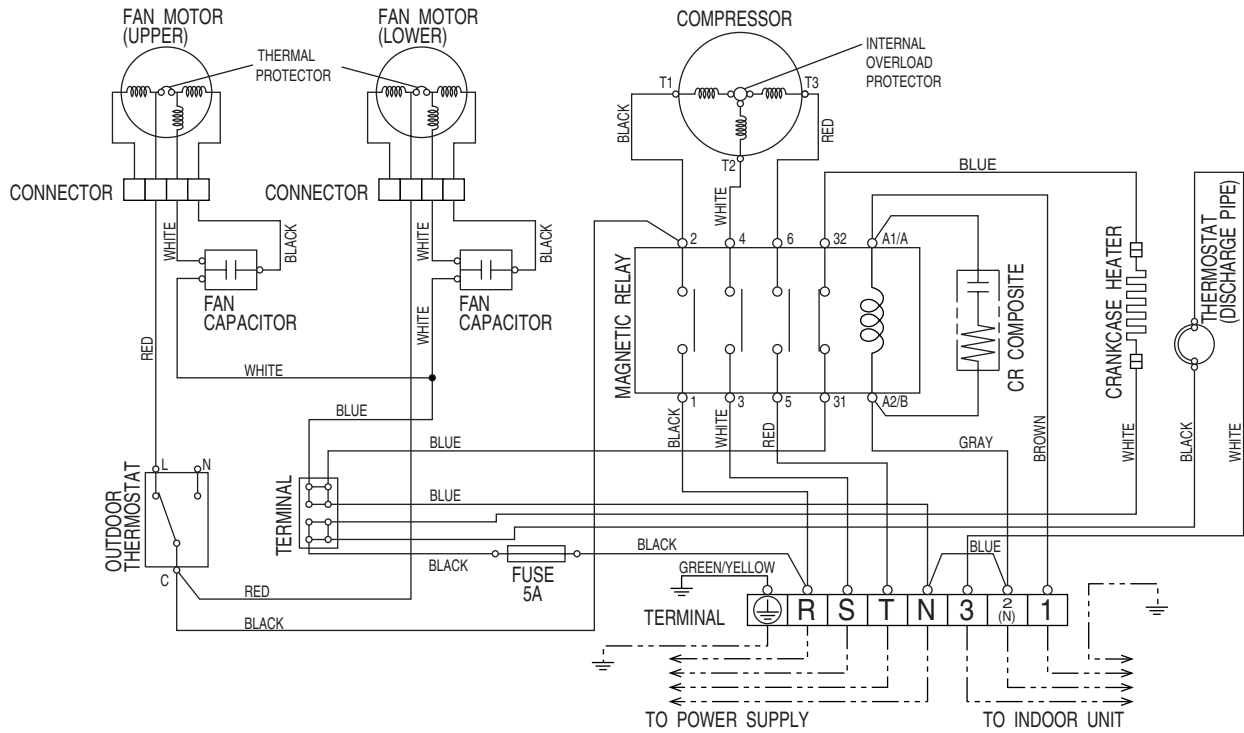
Models : AUG54ALB3W, AUY54ALB3W, AUT54ALB3W



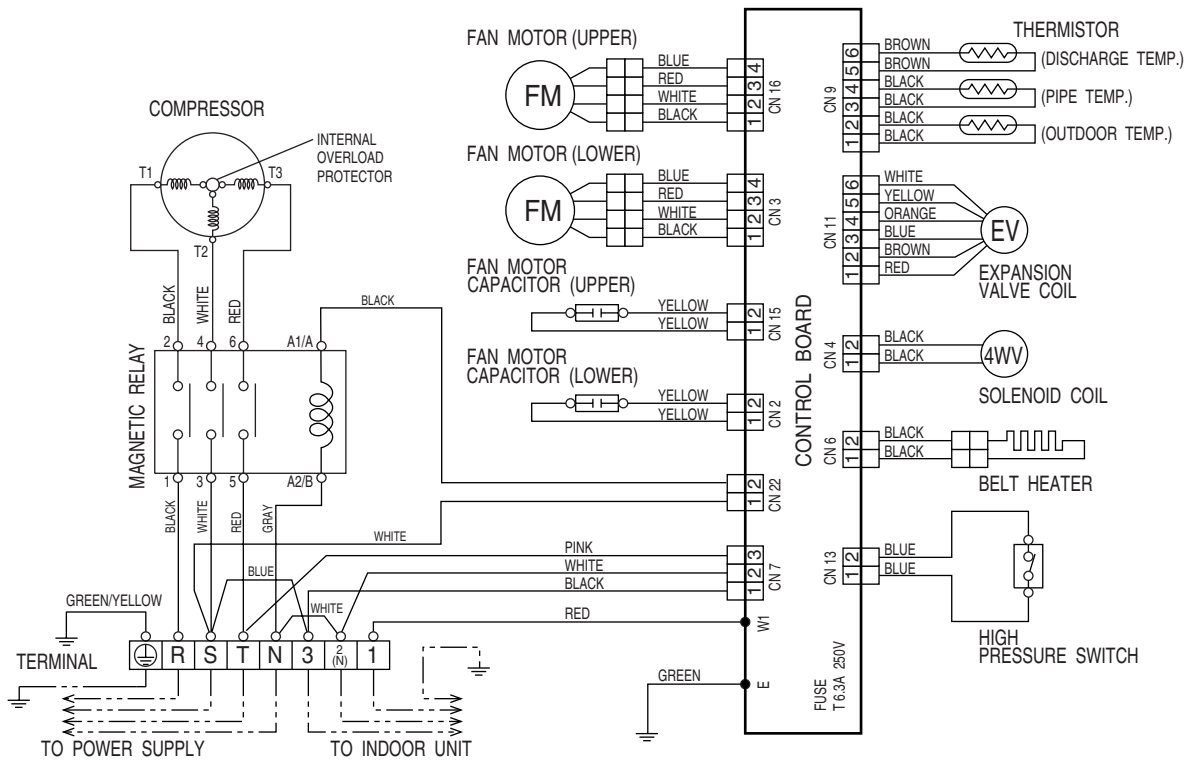
Models : AUG54RLB3W, AUY54RLB3W, AUT54RLB3W



Models : AOG54APA3L, AOY54APA3L, AOT54APA3L

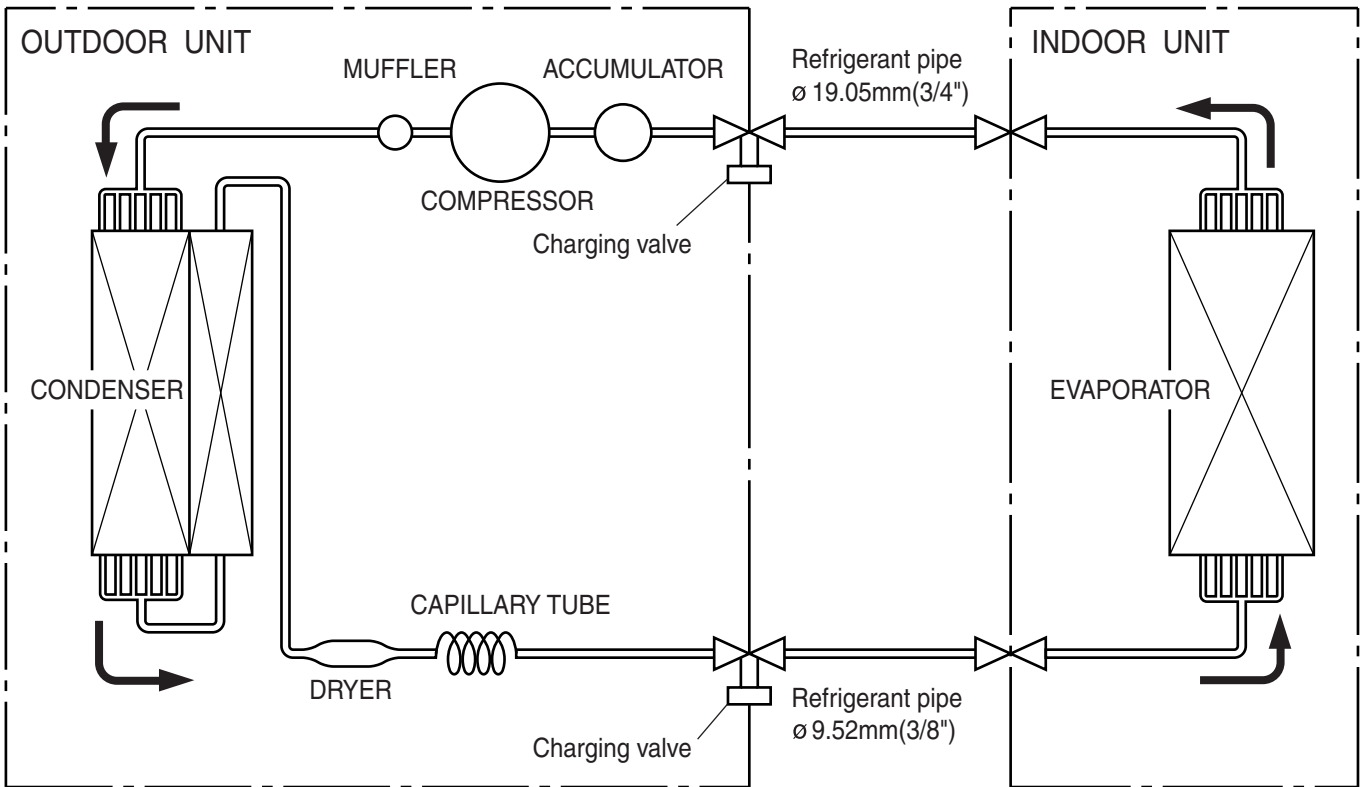


Models : AOG54RPA3L, AOY54RPA3L, AOT54RPA3L

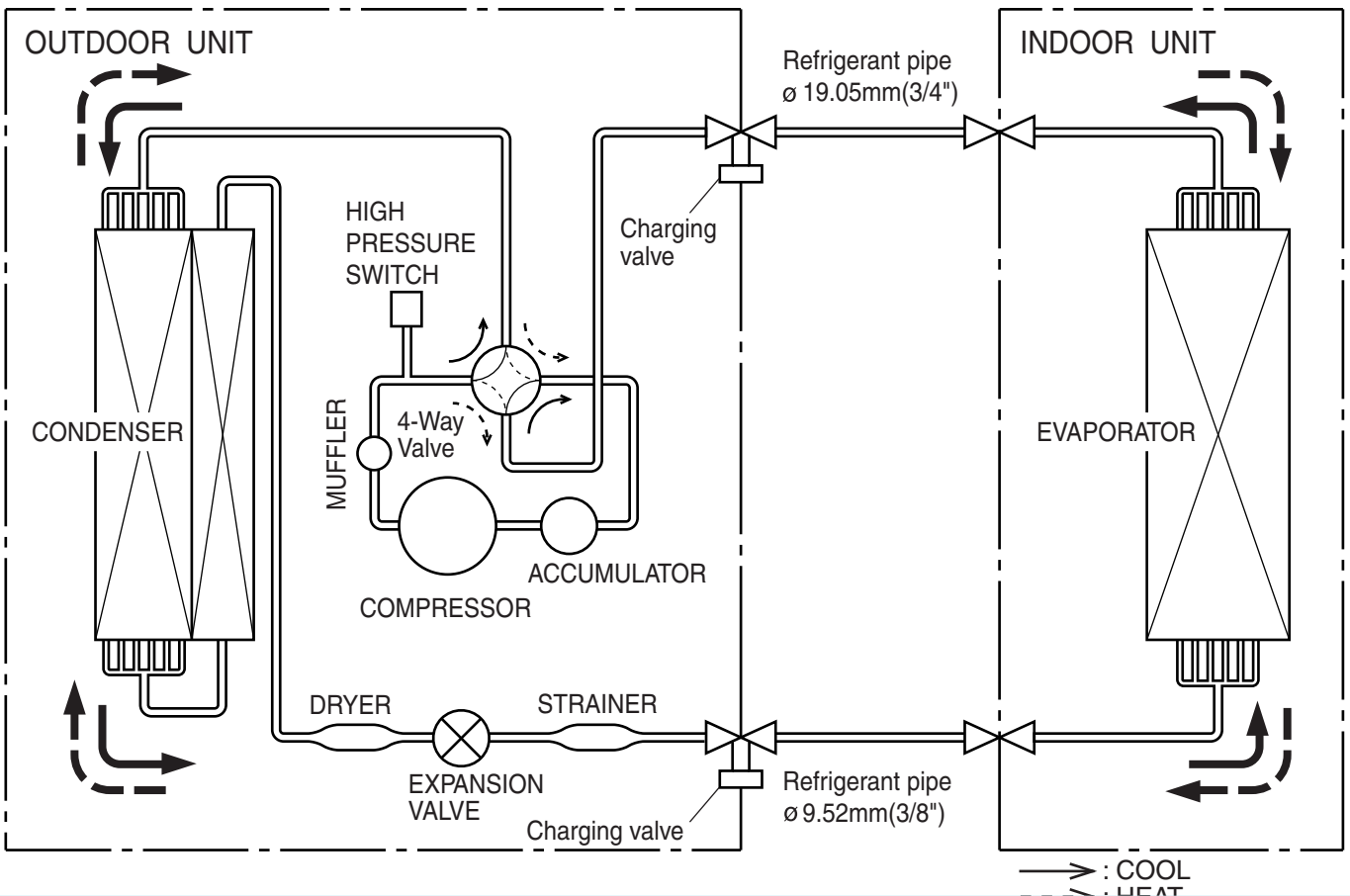


REFRIGERANT SYSTEM DIAGRAM

Models : AUG54AGB3W / AOG54APA3L
 AUY54AGB3W / AOY54APA3L
 AUG54ALB3W / AOG54APA3L
 AUY54ALB3W / AOY54APA3L
 AUT54ALB3W / AOT54APA3L



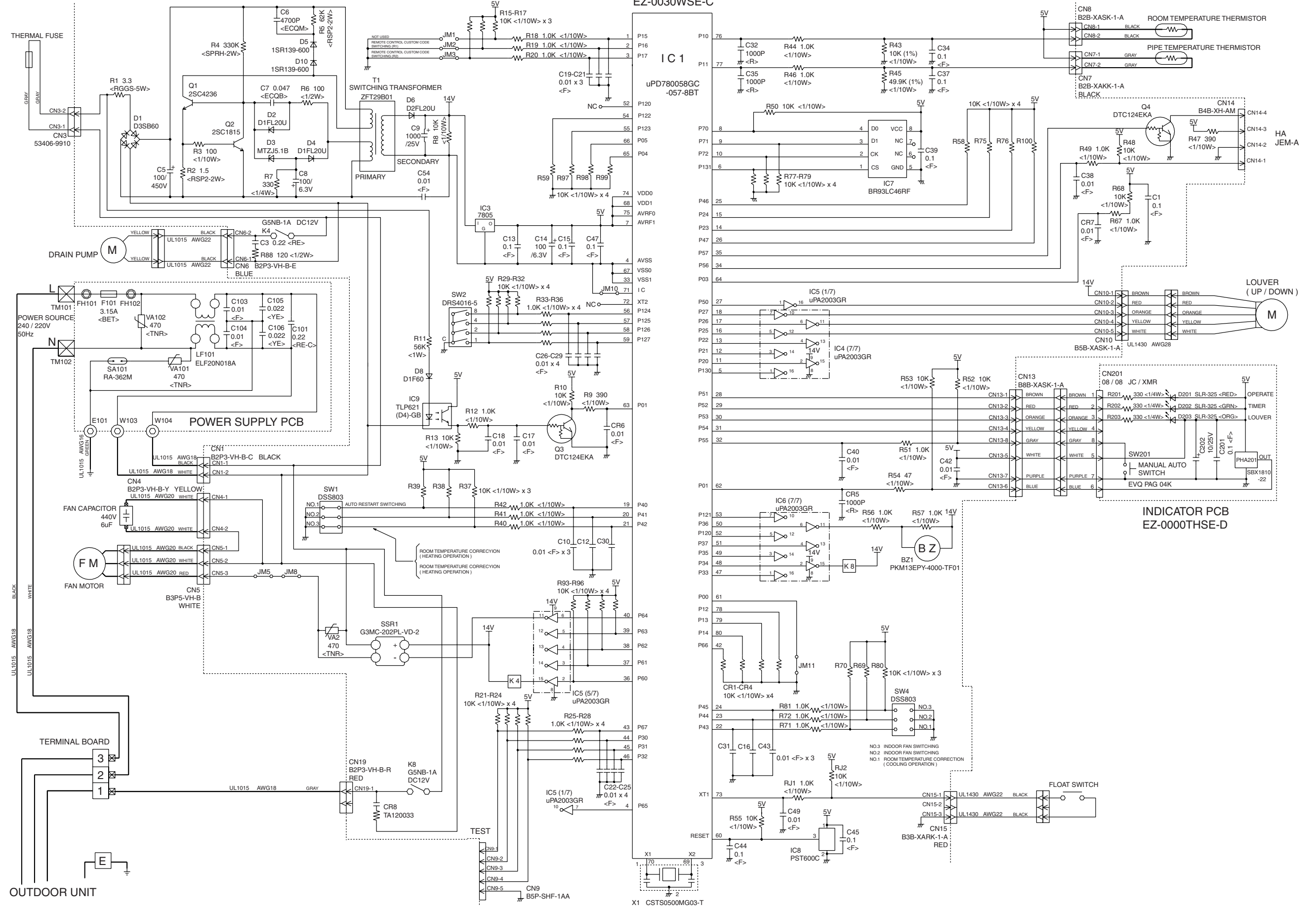
Models : AUG54RLB3W / AOG54RPA3L
 AUY54RLB3W / AOY54RPA3L
 AUT54RLB3W / AOT54RPA3L



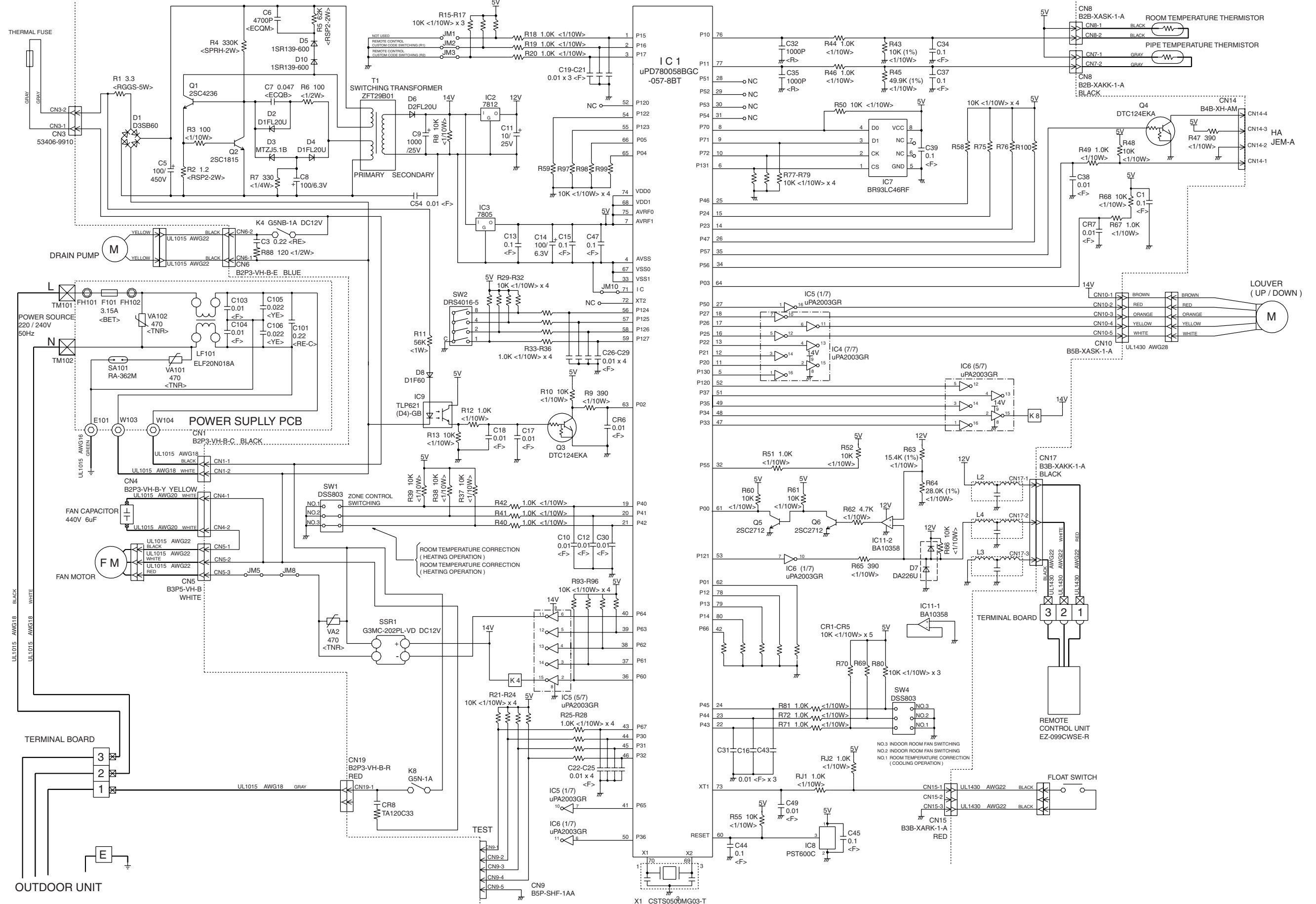
INDOOR PCB CIRCUIT DIAGRAM

Models : AUG54AGB3W, AUY54AGB3W

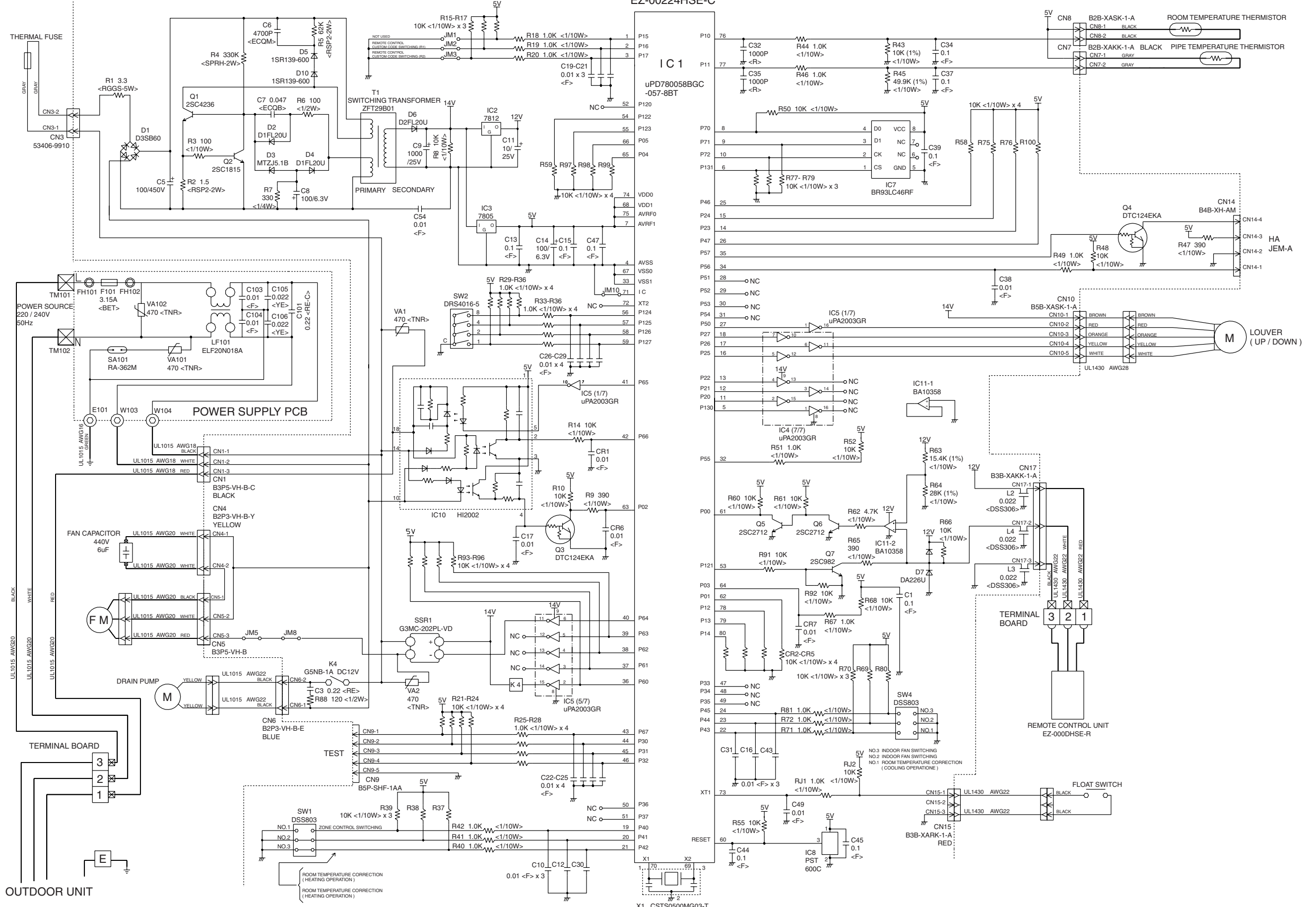
CONTROLLER PCB ASSEMBLY (MAIN PCB) EZ-0030WSE-C



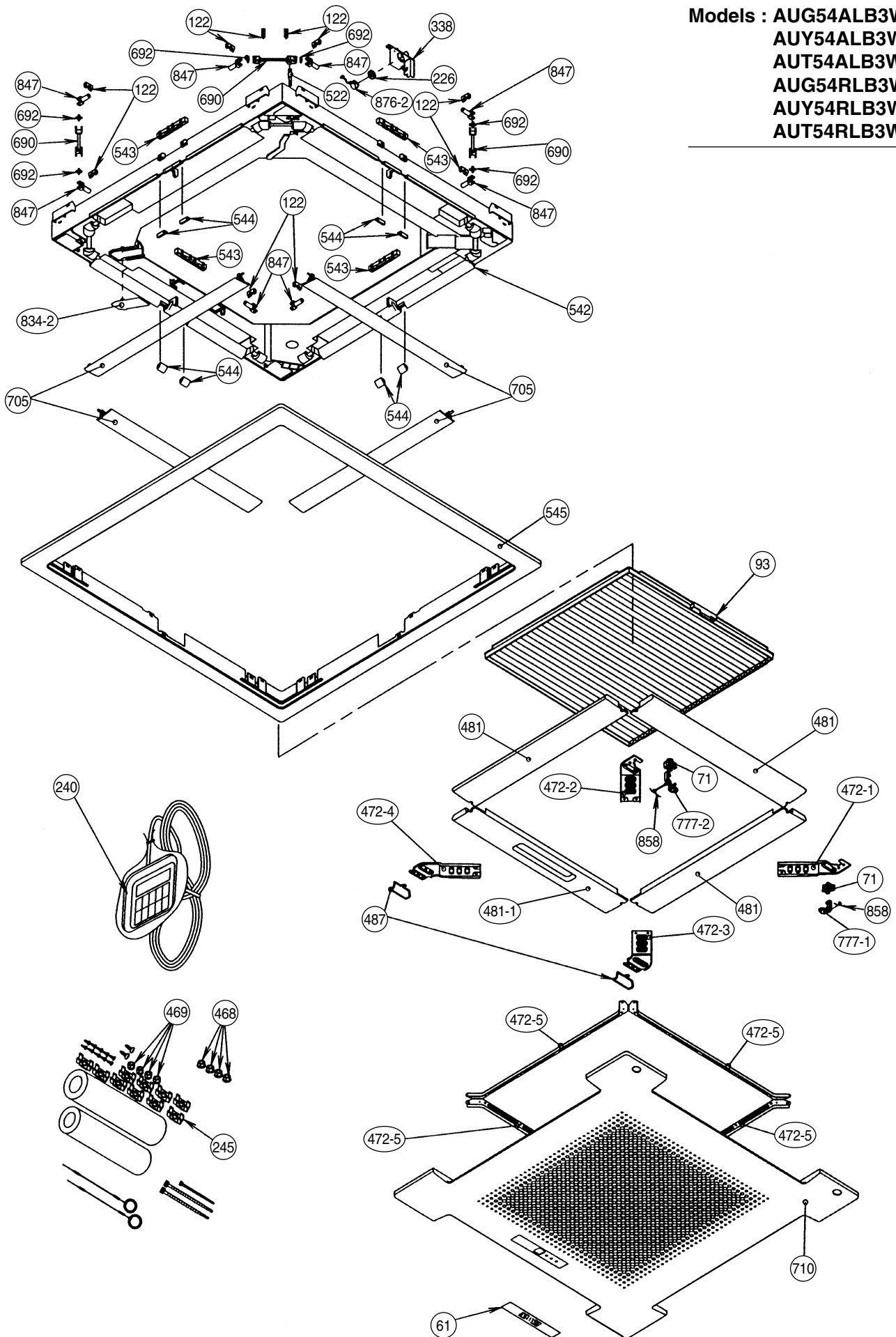
CONTROLLER PCB ASSEMBLY (MAIN PCB)
EZ-0034WSE-C



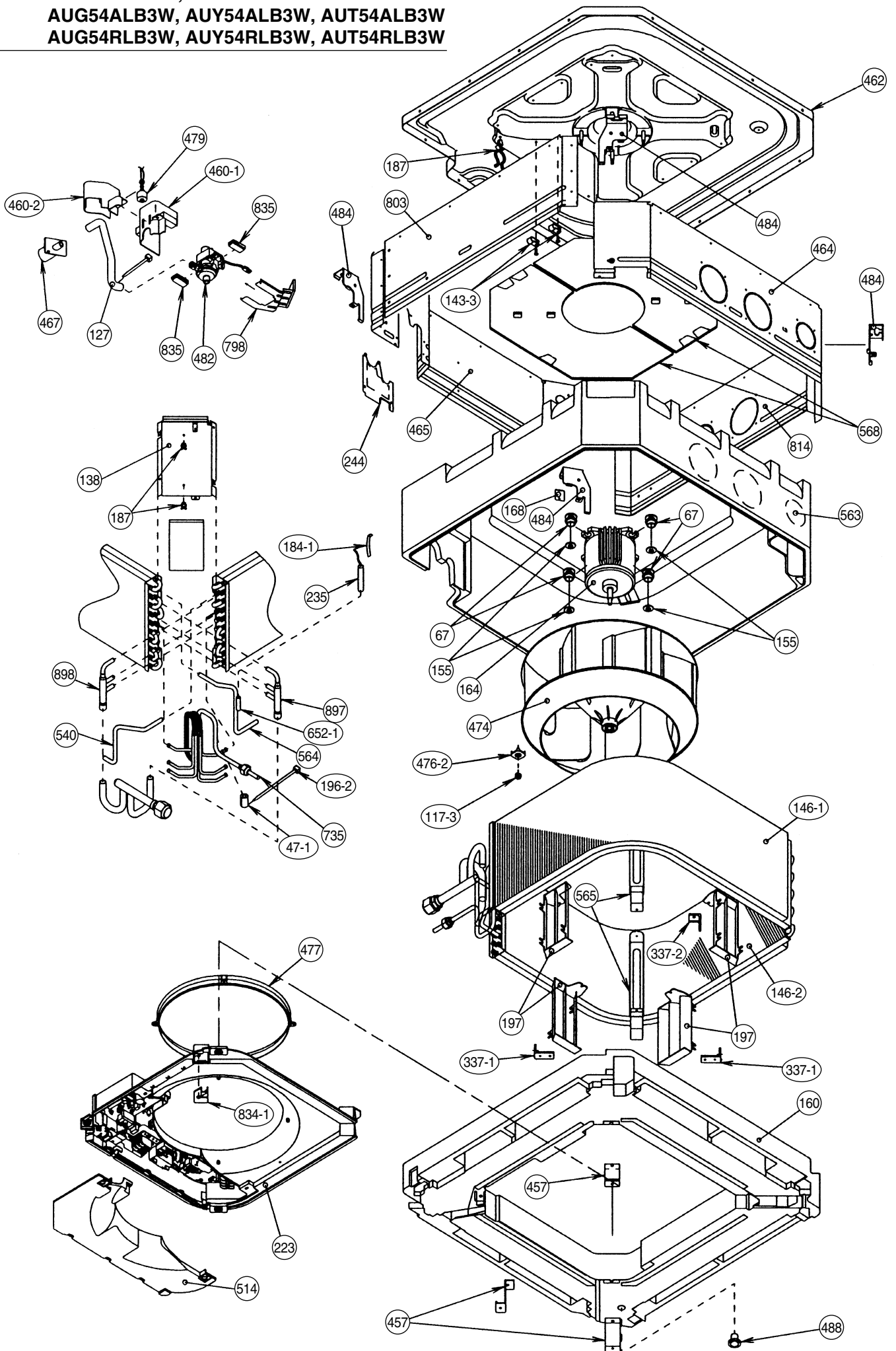
CONTROLLERPCB ASSEMBLY (MAIN PCB)
EZ-00224HSE-C



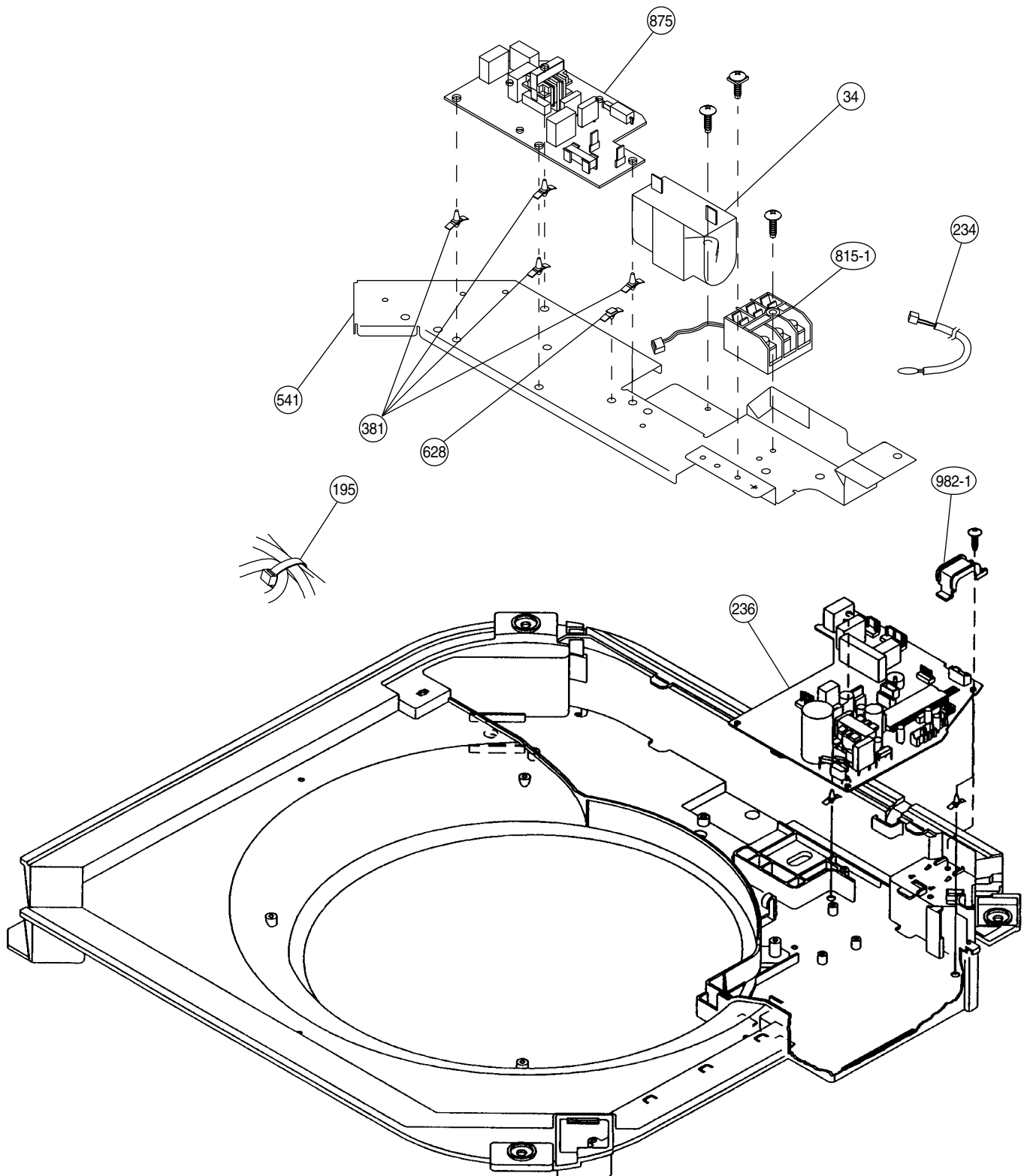
Models : AUG54ALB3W
AUY54ALB3W
AUT54ALB3W
AUG54RLB3W
AUY54RLB3W
AUT54RLB3W



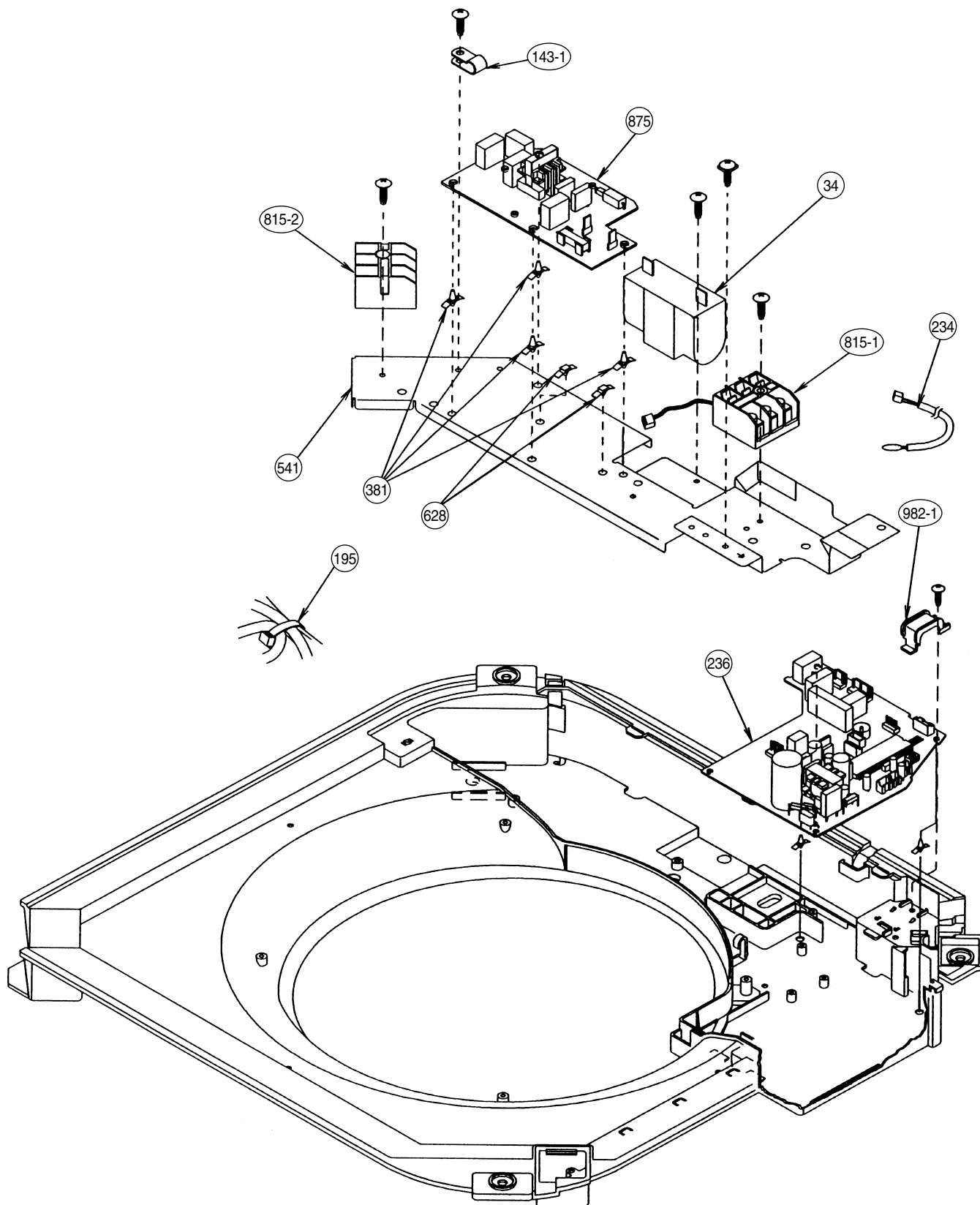
Models : AUG54AGB3W, AUY54AGB3W
AUG54ALB3W, AUY54ALB3W, AUT54ALB3W
AUG54RLB3W, AUY54RLB3W, AUT54RLB3W



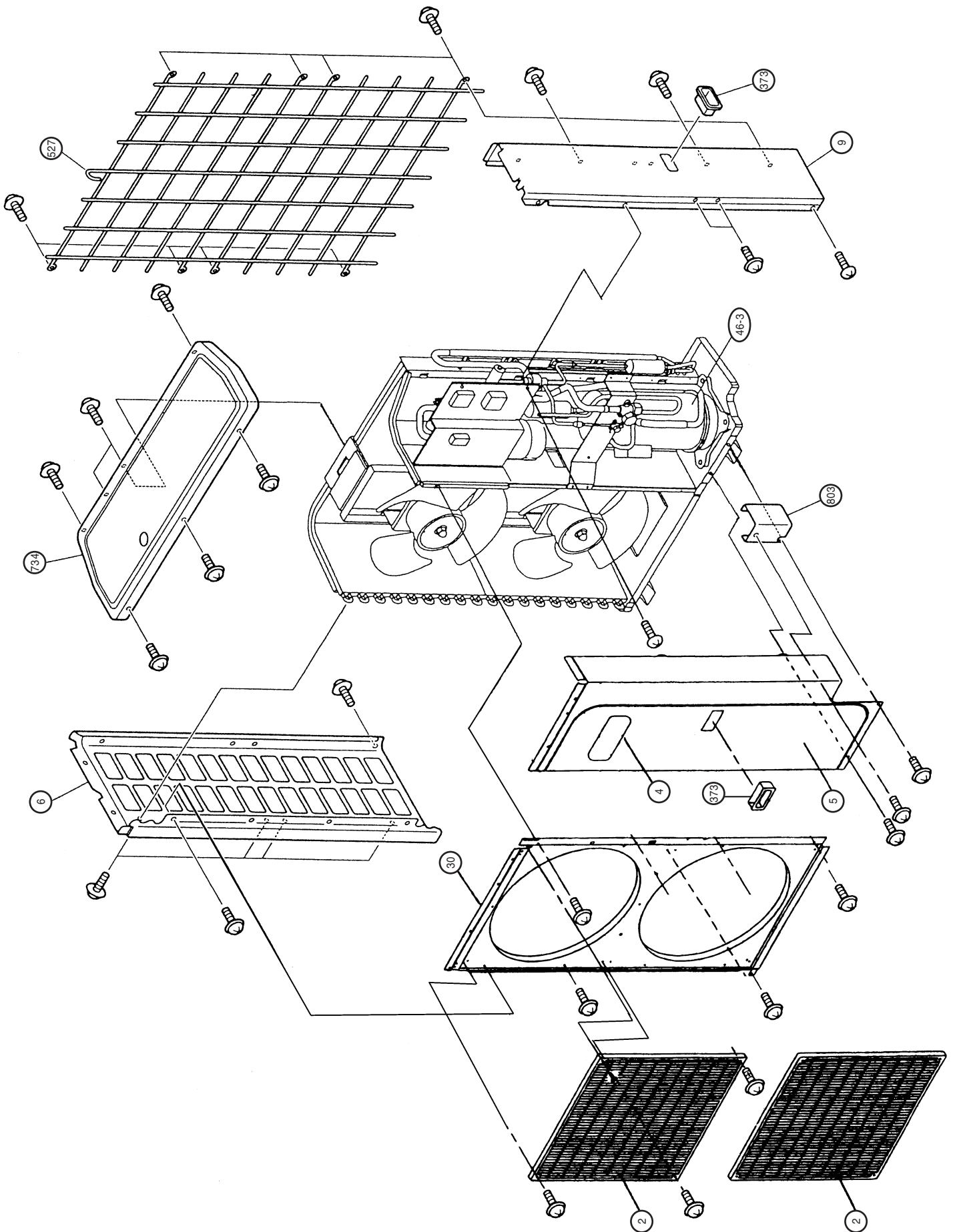
**Models : AUG54AGB3W
AUY54AGB3W**



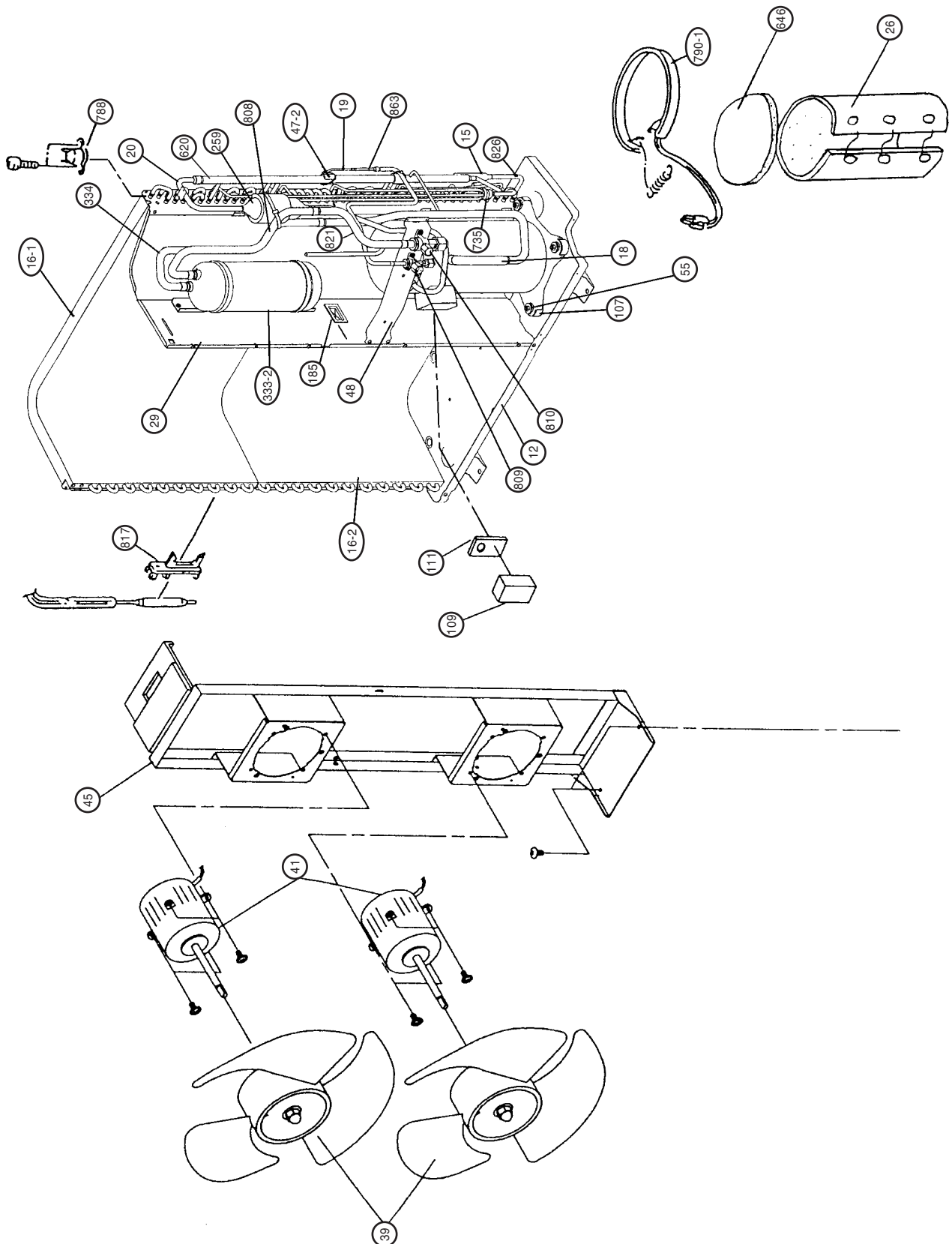
Models : AUG54ALB3W, AUY54ALB3W, AUT54ALB3W
AUG54RLB3W, AUY54RLB3W, AUT54RLB3W

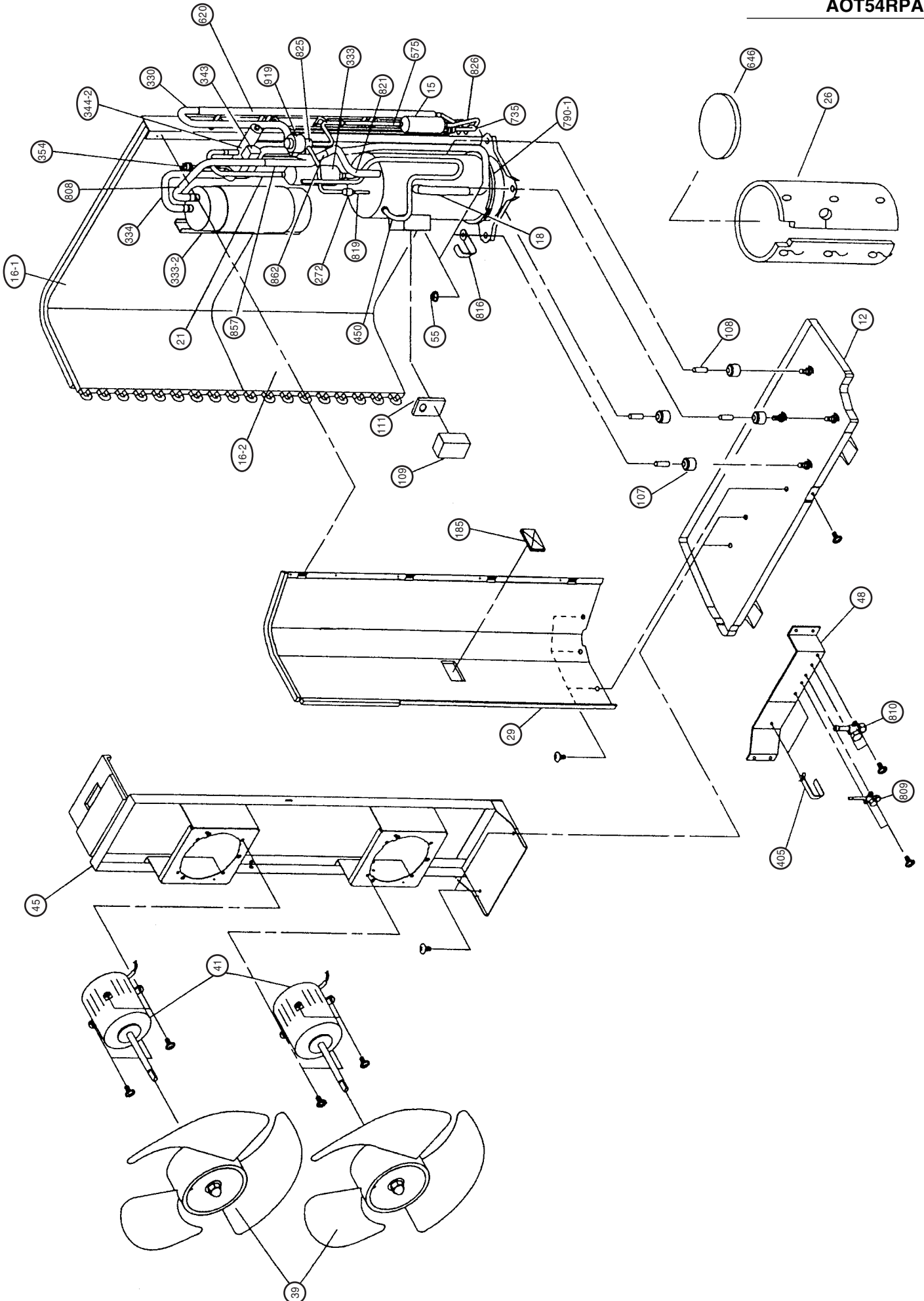


Models : AOT54APA3L
AOT54RPA3L

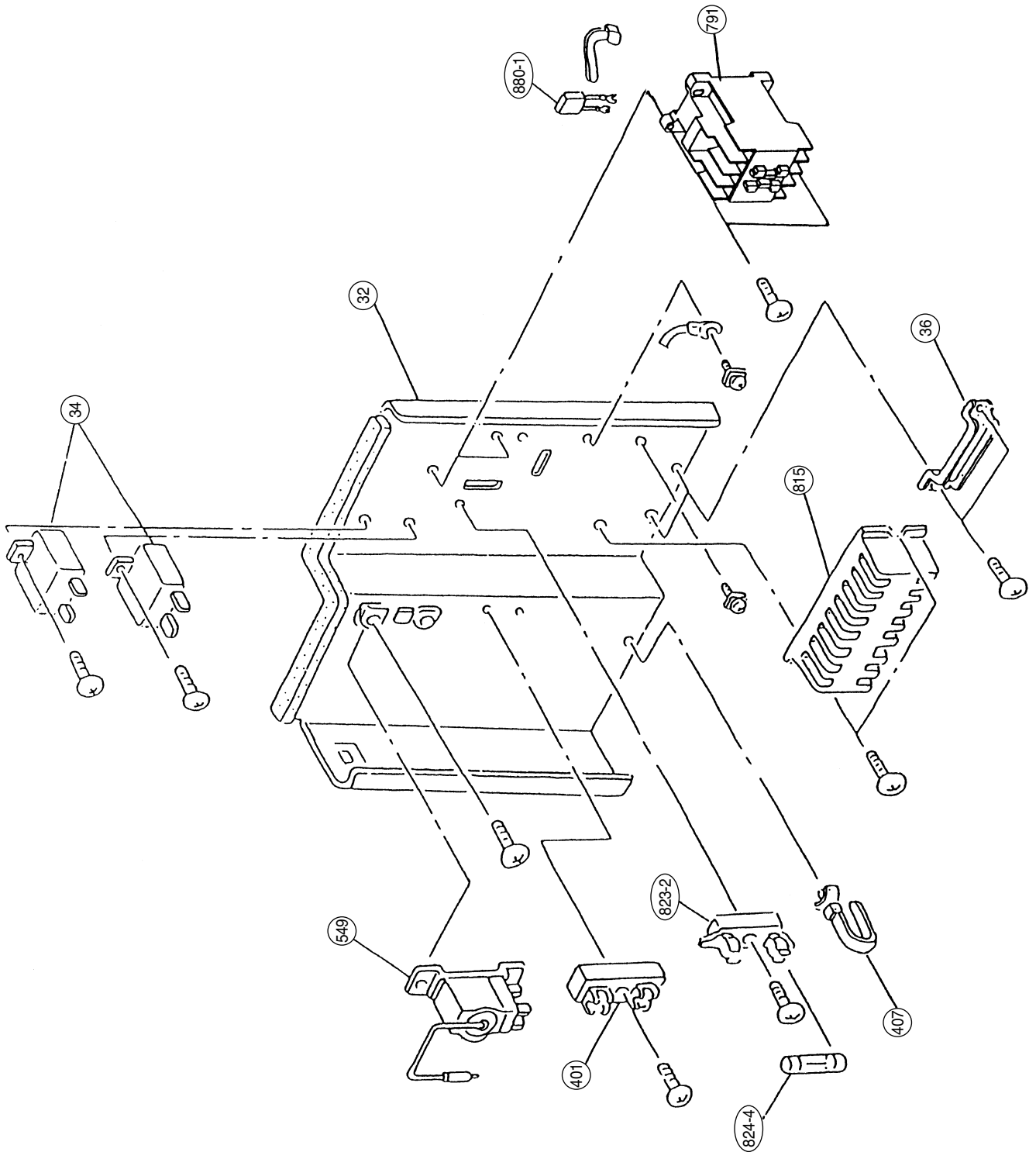


Models : AOG54APA3L
AOY54APA3L
AOT54APA3L

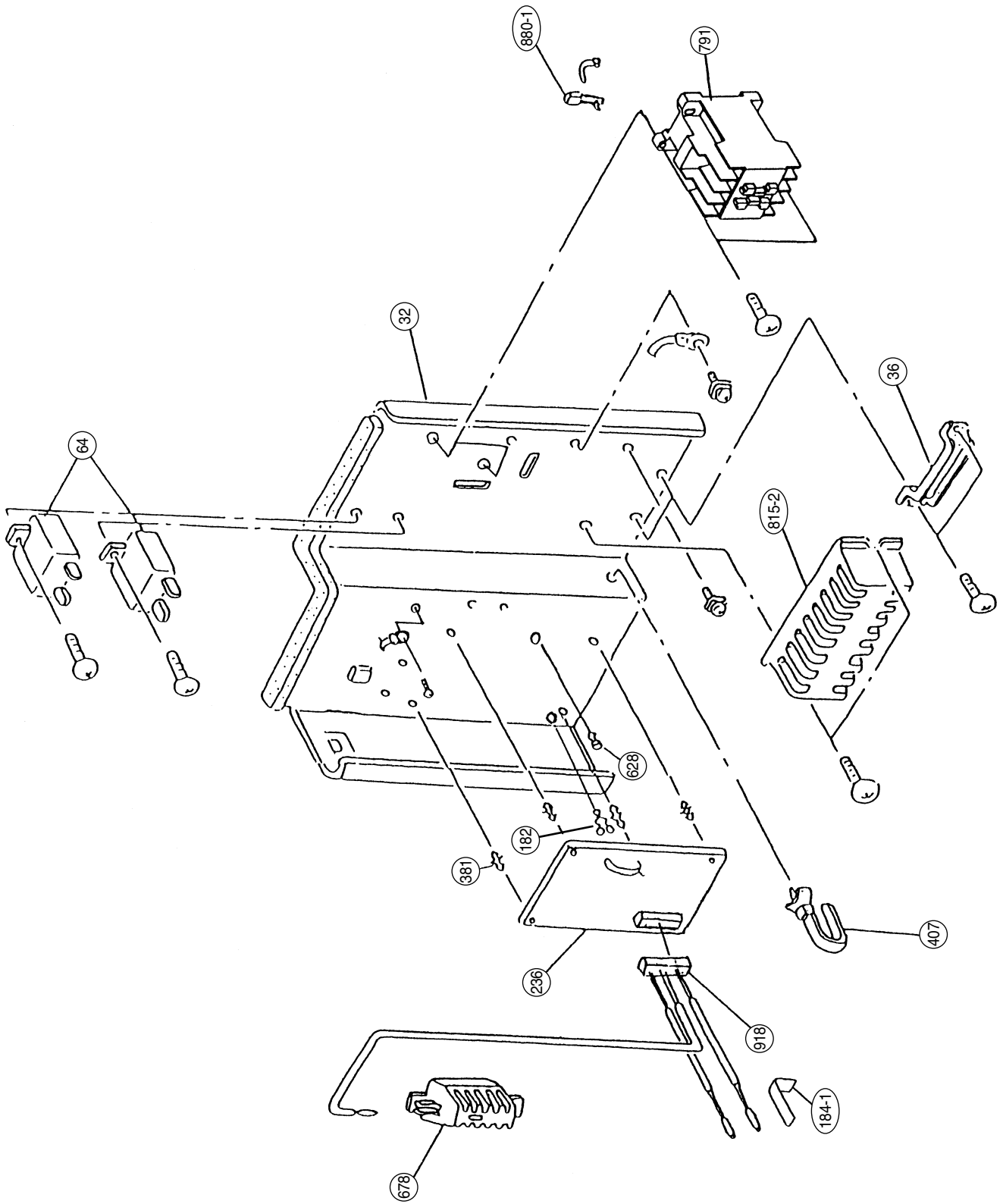




Models : AOG54APA3L
AOY54APA3L
AOT54APA3L



Models : AOG54RPA3L
AOY54RPA3L
AOT54RPA3L



PARTS LIST

When you order parts, please make a photocopy of this page and fill the number of the parts in the "Order" column.

INDOOR UNIT

Ref. No.	Description	Part No.				Ord. Qty
		AUG54ALB3W AUY54ALB3W	AUG54RLB3W AUY54RLB3W	AUT54ALB3W	AUT54RLB3W	
34	Capacitor (Fan Motor)	9703306068	9703306068	9703306068	9703306068	
47-1	Rubber (Discha. Pipe)	313194159807	313194159807	313194159807	313194159807	
61	Decoration Plate (GENERAL)	9363131000	9362787000	9362787000	9362787000	
61	Decoration Plate (FUJITSU)	9362787000	9362787000	-----	-----	
67	Rubber (Vibration Proof)	9362783002	9362783002	9362783002	9362783002	
71	Grille Hook Holder	9362782005	9362782005	9362782005	9362782005	
93	Filter	9362766005	9362766005	9362766005	9362766005	
117-3	Hex. Nut w / Spring Washer	301721180114	301721180114	301721180114	301721180114	
122	Louver Support Holder	9362799003	9362799003	9362799003	9362799003	
127	Drain Hose	9362784009	9362784009	9362784009	9362784009	
138	Separate Wall	9362737005	9362737005	9362737005	9362737005	
143-1	Clamp NK-3N	313361274700	313361274700	313361274700	313361274700	
143-3	Clamp NK-6N	9305657001	9305657001	9305657001	9305657001	
146-1	Evaporator-A Assy	9363149005	9364804002	9363149005	9364804002	
146-2	Evaporator-B Assy	9363150001	9364805009	9363150001	9364805009	
155	Special Nut M6	9307615016	9307615016	9307615016	9307615016	
160	Drain Pan Assy	9362804004	9362804004	9362804004	9362804004	
164	Fan Motor Assy-IN	9600878019	9600878019	9600878019	9600878019	
168	Cabinet-E	9362735001	9362735001	9362735001	9362735001	
184-1	Thermo. Spring-A	313728262708	313728262708	313728262708	313728262708	
187	Clamp No. 1219	313361271706	313361271706	313361271706	313361271706	
195	Clamp SKB-100	313361275805	313361275805	313361275805	313361275805	
196-2	Clamp SKB-150	313035356905	313035356905	313035356905	313035356905	
197	Wind Guide Board	9363117004	9363117004	9363117004	9363117004	
223	Control Box	9362762007	9362762007	9362762007	9362762007	
226	Motor Gear	9362764001	9362764001	9362764001	9362764001	
234	Thermistor Assy-Room	9703299025	9703299025	9703299025	9703299025	
235	Thermistor Assy-Pipe	9703297014	9703297014	9703297014	9703297014	
236	Controller PCB Assy	9704557346	9704557179	9704557346	9704557179	
240	Remote Control Unit	9371438023	9371438016	9371438061	9703173035	
244	Pipe Cover	9362748001	9362748001	9362748001	9362748001	
245	Cable Clamp	313714181904	313714181904	313714181904	313714181904	
337-1	Reinforcement (Eva.)-A	9362749008	9362749008	9362749008	9362749008	
337-2	Reinforcement (Eva.)-B	9362750004	9362750004	9362750004	9362750004	
338	Motor Holder	9362765008	9362765008	9362765008	9362765008	
381	Locking Spacer	313209391506	313209391506	313209391506	313209391506	
457	Reinforcement (Drain Pan)	9362757003	9362757003	9362757003	9362757003	
460-1	Pump Cover-A	9362775007	9362775007	9362775007	9362775007	
460-2	Pump Cover-B	9362776004	9362776004	9362776004	9362776004	
462	Top Cover Plate	9362806015	9362806015	9362806015	9362806015	
464	Cabinet-A	9362800013	9362800013	9362800013	9362800013	
465	Cabinet-B	9362801010	9362801010	9362801010	9362801010	
467	Drain Port	9362786003	9362786003	9362786003	9362786003	
468	Special Nut-A (Large)	313005446653	313005446653	313005446653	313005446653	
469	Special Nut-B (Small)	313005446759	313005446759	313005446759	313005446759	
472-1	Grille Reinforcement-T-A	9362738002	9362738002	9362738002	9362738002	
472-2	Grille Reinforcement-T-B	9362739009	9362739009	9362739009	9362739009	
472-3	Grille Reinforcement-T-C	9362740005	9362740005	9362740005	9362740005	
472-4	Grille Reinforcement-T-D	9362741002	9362741002	9362741002	9362741002	
472-5	Grille Reinforcement-T-E	9362742009	9362742009	9362742009	9362742009	
474	Turbo Fan Assy	9362803014	9362803014	9362803014	9362803014	
476-2	Special Washer	9362756006	9362756006	9362756006	9362756006	
477	Bellmouth (B)	9362774000	9362774000	9362774000	9362774000	
479	Float Switch	9703285004	9703285004	9703285004	9703285004	
481	Insulation (Grille)-A	9362780001	9362780001	9362780001	9362780001	
481-1	Insulation (Grille)-B	9362781008	9362781008	9362781008	9362781008	
482	Pump Unit	9703125010	9703125010	9703125010	9703125010	
484	Hook	9362736008	9362736008	9362736008	9362736008	
487	Grille Hinge Wire	9362754002	9362754002	9362754002	9362754002	
488	Drain Pan Plug	313005174654	313005174654	313005174654	313005174654	
514	Control Box Cover	9362763004	9362763004	9362763004	9362763004	

INDOOR UNIT (Continued)

When you order parts, please make a photocopy of this page and fill the number of the parts in the "Order" column.

Ref. No.	Description	Part No.				Ord. Qty
		AUG54ALB3W AUY54ALB3W	AUG54RLB3W AUY54RLB3W	AUT54ALB3W	AUT54RLB3W	
522	Joint Gear	9362772006	9362772006	9362772006	9362772006	
540	By-pass Pipe-B	9363152005	9363152005	9363152005	9363152005	
541	Terminal Plate	9363642001	9363642001	9363642001	9363642001	
542	Panel Base	9362759014	9362759014	9362759014	9362759014	
543	Panel Frame Holder	9362761017	9362761017	9362761017	9362761017	
544	Panel Base Holder	9362760010	9362760010	9362760010	9362760010	
545	Panel Frame	9362758017	9362758017	9362758017	9362758017	
563	Insulation (Inner Box)	9362768009	9362768009	9362768009	9362768009	
564	By-pass Pipe-A Assy	9363151008	9363151008	9363151008	9363151008	
565	Evaporator Holder Assy	9362802017	9362802017	9362802017	9362802017	
568	Noise Insulation	9363143003	9363143003	9363143003	9363143003	
628	Locking Spacer-B	313005446558	313005446558	313005446558	313005446558	
652-1	Thermistor Holder Pipe	313806262805	313806262805	313806262805	313806262805	
690	Joint-A	9362773003	9362773003	9362773003	9362773003	
692	Joint Shaft	9362771009	9362771009	9362771009	9362771009	
705	Louver	9362769013	9362769013	9362769013	9362769013	
710	Intake Grille	9362767019	9362767019	9362767019	9362767019	
735	Distributor Assy	9363154009	9364795003	9363154009	9364795003	
777-1	Grille Hook-A	9362779012	9362779012	9362779012	9362779012	
777-2	Grille Hook-B	9362778015	9362778015	9362778015	9362778015	
798	Pump Hook Bracket	9362753005	9362753005	9362753005	9362753005	
803	Cabinet-D	9362734004	9362734004	9362734004	9362734004	
814	Cabinet-C	9362733007	9362733007	9362733007	9362733007	
815-1	Terminal 3P	9306489069	9306489069	9306489069	9306489069	
815-2	Terminal 3P	9703345012	9703345012	9703345012	9703345012	
834-1	Wire Cover-A	9362789004	9362789004	9362789004	9362789004	
834-2	Wire Cover-B	9362788007	9362788007	9362788007	9362788007	
835	Cushion Rubber (Pump)	9362777001	9362777001	9362777001	9362777001	
847	Louver Supporter	9362770019	9362770019	9362770019	9362770019	
858	Grille Spring	9362755009	9362755009	9362755009	9362755009	
875	Filter PCB Assy	9704561107	9704561091	9704561107	9704561091	
876-2	Step Motor	9360307019	9360307019	9360307019	9360307019	
897	Coupling Pipe-A Assy	9363153002	9363153002	9363153002	9363153002	
898	Coupling Pipe-B Assy	9363155006	9364806006	9363155006	9364806006	
982-1	Cord Clamp	9356857009	9356857009	9356857009	9356857009	

When you order parts, please make a photocopy of this page and fill the number of the parts in the "Order" column.

INDOOR UNIT

Ref. No.	Description	Part No.		Ord. Q'ty	Ref. No.	Description	Part No.		Ord. Q'ty
		AUG54AGB3W	AUY54AGB3W				AUG54AGB3W	AUY54AGB3W	
34	Capacitor (Fan Motor)	9703306068	9703306068		474	Turbo Fan Assy	9362803014	9362803014	
47-1	Rubber (Discha. Pipe)	313194159807	313194159807		476-2	Special Washer	9362756006	9362756006	
61	Decoration Plate	9365276013	9365652008		477	Bellmouth (B)	9362774000	9362774000	
67	Rubber (Vibration Proof)	9362783002	9362783002		479	Float Switch	9703285004	9703285004	
71	Grille Hook Holder	9362782005	9362782005		481	Insulation (Grille)-A	9362780001	9362780001	
93	Filter	9362766005	9362766005		481-1	Insulation (Grille)-B	9362781008	9362781008	
117-3	Hex. Nut w / Spring Washer	301721180114	301721180114		482	Pump Unit	9703125010	9703125010	
122	Louver Support Holder	9362799003	9362799003		484	Hook	9362736008	9362736008	
127	Drain Hose	9362784009	9362784009		487	Grille Hinge Wire	9362754002	9362754002	
138	Separate Wall	9362737005	9362737005		488	Drain Pan Plug	313005174654	313005174654	
143-3	Clamp NK-6N	9305657001	9305657001		514	Control Box Cover	9362763004	9362763004	
146-1	Evaporator-A Assy	9363149005	9363149005		522	Joint Gear	9362772006	9362772006	
146-2	Evaporator-B Assy	9363150001	9363150001		540	By-pass Pipe-B	9363152005	9363152005	
155	Special Nut M6	9307615016	9307615016		541	Terminal Plate	9363642001	9363642001	
160	Drain Pan Assy	9370934014	9370934014		542	Panel Base	9362759014	9362759014	
164	Fan Motor Assy-IN	9600878019	9600878019		543	Panel Frame Holder	9362761017	9362761017	
168	Cabinet-E	9362735001	9362735001		544	Panel Base Holder	9362760010	9362760010	
184-1	Thermo. Spring-A	313728262708	313728262708		545	Panel Frame	9362758017	9362758017	
187	Clamp No. 1219	313361271706	313361271706		563	Insulation (Inner Box)	9362768009	9362768009	
195	Clamp SKB-100	313361275805	313361275805		564	By-pass Pipe-A Assy	9363151008	9363151008	
196-2	Clamp SKB-150	313035356905	313035356905		565	Evaporator Holder Assy	9362802017	9362802017	
197	Wind Guide Board	9363117004	9363117004		568	Noise Insulation	9363143003	9363143003	
223	Control Box	9362762007	9362762007		628	Locking Spacer-B	313005446558	313005446558	
226	Motor Gear	9362764001	9362764001		652-1	Thermistor Holder Pipe	313806262805	313806262805	
234	Thermistor Assy-Room	9703299025	9703299025		690	Joint-A	9362773003	9362773003	
235	Thermistor Assy-Pipe	9703297014	9703297014		692	Joint Shaft	9362771009	9362771009	
236	Controller PCB Assy	9704557308	9704557308		705	Louver	9362769013	9362769013	
240	Remote Control Unit	9359913047	9359913047		710	Intake Grille	9362767019	9362767019	
244	Pipe Cover	9362748001	9362748001		735	Distributor Assy	9363154009	9363154009	
337-1	Reinforcement (Eva.)-A	9362749008	9362749008		743	Remote Control Unit Holder Case	9359955016	9359955016	
337-2	Reinforcement (Eva.)-B	9362750004	9362750004		777-1	Grille Hook-A	9362779012	9362779012	
338	Motor Holder	9362765008	9362765008		777-2	Grille Hook-B	9362778015	9362778015	
381	Locking Spacer	313209391506	313209391506		798	Pump Hook Bracket	9362753005	9362753005	
385	Indicator PCB Assy	9704017017	9704017017		803	Cabinet-D	9362734004	9362734004	
457	Reinforcement (Drain Pan)	9362757003	9362757003		814	Cabinet-C	9362733007	9362733007	
460-1	Pump Cover-A	9362775007	9362775007		815-1	Terminal 3P	9306489069	9306489069	
460-2	Pump Cover-B	9362776004	9362776004		834-1	Wire Cover-A	9362789004	9362789004	
462	Top Cover Plate	9362806015	9362806015		834-2	Wire Cover-B	9362788007	9362788007	
464	Cabinet-A	9362800013	9362800013		835	Cushion Rubber (Pump)	9362777001	9362777001	
465	Cabinet-B	9362801010	9362801010		847	Louver Supporter	9362770019	9362770019	
467	Drain Port	9362786003	9362786003		858	Grille Spring	9362755009	9362755009	
468	Special Nut-A (Large)	313005446653	313005446653		868	Holder (PCB)	9364855004	9364855004	
469	Special Nut-B (Small)	313005446759	313005446759		875	Filter PCB Assy	9704561107	9704561107	
472-1	Grille Reinforcement-A	9362738002	9362738002		876-2	Step Motor	9360307019	9360307019	
472-2	Grille Reinforcement-B	9362739009	9362739009		897	Coupling Pipe-A Assy	9363153002	9363153002	
472-3	Grille Reinforcement-C	9362740005	9362740005		898	Coupling Pipe-B Assy	9363155006	9363155006	
472-4	Grille Reinforcement-D	9362741002	9362741002		982-1	Cord Clamp	9356857009	9356857009	
472-5	Grille Reinforcement-E	9362742009	9362742009						

When you order parts, please make a photocopy of this page and fill the number of the parts in the "Order" column.

OUTDOOR UNIT

Ref. No.	Description	Part No.			Ord.
		AOG54APA3L	AOY54APA3L	AOT54APA3L	Q'ty
2	Fan Cover	9352159015	9352159015	9365905012	
4	Emblem-Rear	313791088308	9351355005	9351355005	
5	Cabinet-A, Painted	9352146015	9352146015	9352146015	
6	Cabinet-C, Painted	9352149016	9352149016	9352149016	
9	Cabinet-B, Painted	9352147012	9352147012	9352147012	
12	Base Assy, Painted	9352136016	9352136016	9352136016	
15	Dryer	9368111014	9368111014	9368111014	
16-1	Condenser-A Assy	9369544002	9369544002	9369544002	
16-2	Condenser-B Assy	9369545009	9369545009	9369545009	
18	Suction Pipe Assy	9364514000	9364514000	9364514000	
19	Capillary Tube Assy	9371224039	9371224039	9371224039	
20	Discharge Pipe Assy	9370950038	9370950038	9370950038	
26	Compressor Cover-A	9370774030	9370774030	9370774030	
29	Separate Wall	9355277013	9355277013	9355277013	
30	Blower Cover, Painted	9352151019	9352151019	9352151019	
32	Control Box Metal	9352134012	9352134012	9352134012	
34	Capacitor (Fan Motor)	9357965024	9357965024	9357965024	
36	Cord Holder Metal	9356934007	9356934007	9356934007	
39	Propeller Fan Assy	9366378013	9366378013	9366378013	
41	Fan Motor Assy-Out	9600832028	9600832028	9600832028	
45	Bracket (Motor) Assy	9368108007	9368108007	9368108007	
46-3	Compressor-C Assy	9370067002	9370067002	9370067002	
47-2	Rubber (Discharge Pipe)	313185159802	313185159802	313185159802	
48	Bracket (Coupler) Assy	9355281010	9355281010	9355281010	
55	Special Nut M8 (For Comp.)	9355091008	9355091008	9355091008	
107	Rubber Seat-A (For Comp.)	9364084008	9364084008	9364084008	
108	Sleeve-A (For Comp.)	9364085005	9364085005	9364085005	
109	Terminal Cover (For Comp.)	9364087009	9364087009	9364087009	
111	Terminal Packing	9364086002	9364086002	9364086002	
185	Rubber Bushing	313005066051	313005066051	313005066051	
259	Muffler	9368082000	9368082000	9368082000	
320	Wire Clamp Metal	313483219905	313483219905	313483219905	
333-2	Accumulator (B)	9362425001	9362425001	9362425001	
334	Suction Pipe-B	9352287008	9352287008	9352287008	
373	Grip	9352157004	9352157004	9352157004	
401	Terminal-2P	9701971015	9701971015	9701971015	
405	Clamp No.1763	313816345304	313816345304	313816345304	
407	Clamp (Cable) No.1259	313739340109	313739340109	313739340109	
527	Protection Net	9352163012	9352163012	9352163012	
549	Thermistor-Outdoor	9352426001	9352426001	9352426001	
620	Inlet Pipe (Cond.) Assy	9353183002	9353183002	9353183002	
646	Compressor Cover-B	9370774047	9370774047	9370774047	
734	Cabinet Top Plate	9352161018	9352161018	9352161018	
735	Distributor Assy	9353187000	9353187000	9353187000	
788	Thermistor-Overheat	9354061002	9354061002	9354061002	
790-1	Belt Heater-A	9361140042	9361140042	9361140042	
791	Magnetic Relay	9363277005	9363277005	9363277005	
803	Cabinet-D, Painted	9352150012	9352150012	9352150012	
805	Blower Cover Corner	9352160011	9352160011	-----	
808	Inlet Pipe (Accumulator)	9352285004	9352285004	9352285004	
809	Ball Valve-A	9371799049	9371799049	9371799049	
810	Ball Valve-B	9357982007	9357982007	9357982007	
813	Cabinet Hook	9352148002	9352148002	9352148002	
815	Terminal-8P	9363276022	9363276022	9363276022	
816	Wire Clamp Metal	313584219902	313584219902	313584219902	
817	Thermostat Fixture	9352164019	9352164019	9352164019	
821	Joint Pipe Assy	9352284007	9352284007	9352284007	
822	Fan Cover Fixture-A	9352158018	9352158018	-----	
823-2	Fuse Holder	0500063024	0500063024	0500063024	
824-4	Fuse	0600222529	0600222529	0600222529	
826	Condensing Pipe-B	9353215000	9353215000	9353215000	
863	Joint Pipe (Capillary)-B	9353206008	9353206008	9353206008	
880-1	Network	9700987017	9700987017	9700987017	

OUTDOOR UNIT

Ref. No.	Description	Part No.			Ord.
		AOG54RPA3L	AOY54RPA3L	AOT54RPA3L	Q'ty
2	Fan Cover	9352159015	9352159015	9365905012	
4	Emblem-Rear	313791088308	9351355005	9351355005	
5	Cabinet-A, Painted	9352146015	9352146015	9352146015	
6	Cabinet-C, Painted	9352149016	9352149016	9352149016	
9	Cabinet-B, Painted	9352147012	9352147012	9352147012	
12	Base Assy, Painted	9352136016	9352136016	9352136016	
15	Dryer	9368111014	9368111014	9368111014	
16-1	Condenser-A Assy	9355338011	9355338011	9355338011	
16-2	Condenser-B Assy	9353363008	9353363008	9353363008	
18	Suction Pipe Assy	9364514000	9364514000	9364514000	
21	Discharge Pipe-B	9368331009	9368331009	9368331009	
26	Compressor Cover-A	9370774030	9370774030	9370774030	
29	Separate Wall Assy	9355277013	9355277013	9355277013	
30	Blower Cover, Painted	9352151019	9352151019	9352151019	
32	Control Box Metal	9352134012	9352134012	9352134012	
36	Cord Holder Metal	9356934007	9356934007	9356934007	
39	Propeller Fan Assy	9366378013	9366378013	9366378013	
41	Fan Motor Assy-Out	9600832028	9600832028	9600832028	
45	Bracket (Motor) Assy	9368108007	9368108007	9368108007	
46-3	Compressor-C Assy	9370067002	9370067002	9370067002	
48	Bracket (Coupler) Assy	9355281010	9355281010	9355281010	
55	Special Nut M8 (For Comp.)	9355091008	9355091008	9355091008	
64	Capacitor (Fan Motor)	9357965024	9357965024	9357965024	
107	Rubber Seat-A (For Comp.)	9364084008	9364084008	9364084008	
108	Sleeve-A (For Comp.)	9364085005	9364085005	9364085005	
109	Terminal Cover (For Comp.)	9364087009	9364087009	9364087009	
111	Terminal Packing	9364086002	9364086002	9364086002	
182	Clamp No.249	313361271505	313361271505	313361271505	
184-1	Thermo. Spring-A	313728262708	313728262708	313728262708	
185	Rubber Bushing	313005066051	313005066051	313005066051	
236	Controller PCB Assy	9704764089	9704764089	9704764089	
272	Strainer Assy	9354139008	9354139008	9354139008	
330	Inlet Pipe (Cond.)-A	9353310002	9353310002	9353310002	
333	Accumulator	9350363018	9350363018	9350363018	
333-2	Accumulator Assy (B)	9362425001	9362425001	9362425001	
334	Suction Pipe-B	9352287008	9352287008	9352287008	
343	Solenoid Coil	9359616108	9359616108	9359616108	
344-2	4-Way Valve	9353532008	9353532008	9353532008	
354	Pressure Switch	9704045003	9704045003	9704045003	
373	Grip	9352157004	9352157004	9352157004	
381	Locking Spacer	313209391506	313209391506	313209391506	
405	Clamp No.1763	313816345304	313816345304	313816345304	
407	Clamp (Cable) No.1259	313739340109	313739340109	313739340109	
450	Discharge Pipe-A	9368338008	9368338008	9368338008	
527	Protection Net	9352163012	9352163012	9352163012	
575	Condensing Pipe-C	9363460001	9363460001	9363460001	
620	Inlet Pipe (Cond.) Assy	9353183002	9353183002	9353183002	
628	Locking Spacer	313005446558	313005446558	313005446558	
646	Compressor Cover-B	9370774047	9370774047	9370774047	
678	Bracket (Thermistor)	313557406106	313557406106	313557406106	
734	Cabinet Top Plate	9352161018	9352161018	9352161018	
735	Distributor Assy	9353187000	9353187000	9353187000	
790-1	Belt Heater-A	9361140042	9361140042	9361140042	
791	Magnetic Relay	9363277005	9363277005	9363277005	
803	Cabinet-D, Painted	9352150012	9352150012	9352150012	
805	Blower Cover Corner	9352160011	9352160011	-----	
808	Inlet Pipe (Accumulator)-A	9363458008	9363458008	9363458008	
809	Ball Valve-A	9371799049	9371799049	9371799049	
810	Ball Valve-B	9357982007	9357982007	9357982007	
813	Cabinet Hook	9352148002	9352148002	9352148002	

When you order parts, please make a photocopy of this page and fill the number of the parts in the "Order" column.

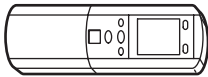

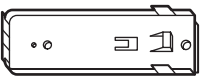


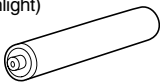
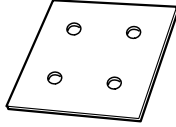
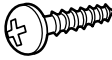

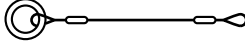
OUTDOOR UNIT (Continued)

Ref. No.	Description	Part No.			Ord.
		AOG54RPA3L	AOY54RPA3L	AOT54RPA3L	Q'ty
815-2	Terminal 8P	9363276022	9363276022	9363276022	
816	Wire Clamp Metal	313584219902	313584219902	313584219902	
819	Valve-A Coupl. Pipe	9363457001	9363457001	9363457001	
821	Joint Pipe (Valve-B)	9353307002	9353307002	9353307002	
822	Fan Cover Fixture-A	9352158018	9352158018	-----	
825	Expansion Valve Assy	9370947021	9370947021	9370947021	
826	Condensing Pipe-B	9353215000	9353215000	9353215000	
857	Inlet Pipe (Accumulator)-B	9363459005	9363459005	9363459005	
862	Valve-B Coupl. Pipe	9353309006	9353309006	9353309006	
880-1	Network	9700987017	9700987017	9700987017	
918	Thermistor Assy	9900129019	9900129019	9900129019	
919	Expansion Valve Coil	9363467017	9363467017	9363467017	



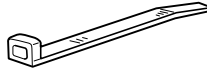




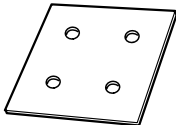

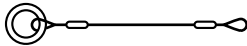
When you order parts, please make a photocopy of this page and fill the number of the parts in the "Order" column.

STANDARD ACCESSORIES




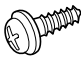
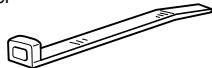





INDOOR UNIT ACCESSORIES

Name and Shape	Part No.	
	AUG54AGB3W, AUY54AGB3W	
Remote control unit 	9359913047	
Coupler heat insulation 	9350716029	
	9352766015	
Remote control unit holder 	9359955016	
Special nut A (large flange) 	313005446653	
Special nut B (small flange) 	313005446759	
Battery (penlight) 	0600185534	
Template 	9363173000	
Tapping screw (ϕ 3x 12) 	301141533125	
Blower cover insulation 	9363265002	
Hook wire 	9363168006	

INDOOR UNIT ACCESSORIES

Name and Shape	Part No.	
	AUG54ALB3W, AUY54ALB3W AUG54RLB3W, AUY54RLB3W	AUT54ALB3W AUT54RLB3W
Coupler heat insulation 	9350716029 } 1 each 9352766015 }	9350716029 } 1 each 9352766015 }
Remote control unit cord clamp 	313714181904	313714181904
Binder 	313035356905 (Large)	313035356905 (Large)
	313361275805 (Small)	313361275805 (Small)
Screw 	(A) 301141134166 For installing the mounting bracket	(A) 301141134166 For installing the mounting bracket
	(B) 301141153027 For installing the cord clamp	(B) 301141153027 For installing the cord clamp
Special nut A (large flange) 	313005446653	313005446653
Special nut B (small flange) 	313005446759	313005446759
Remote control unit 	(Cooling model) 9703173028	(Cooling model) 9703173042
	(Cooling & Heating model) 9371438016	(Cooling & Heating model) 9703173035
Template 	9363173000	9363173000
Blower cover insulation 	9363265002	9363265002
Hook wire 	9363168006	9363168006

OUTDOOR UNIT ACCESSORIES

Name and Shape	Part No.		
	AOG54APA3L AOY54APA3L AOT54APA3L	AOG54RPA3L AOY54RPA3L	AOT54RPA3L
Power cap 	9352173011	9352173011	9352173011
Auxiliary pipe assembly 	9355292016	9355292016	9355292016
Edge cover 	9352436000	9352436000	9352436000
Tapping screw 	301463040100	301463040100	301463040100
Binder 	313035356905	313035356905	313035356905
Putty 	303020200114	303020200114	303020200114
Coupler heat insulation 	313005074759	313005074759	313005074759
Pipe (drain) 	—	313728031005	—
Flexible tube 	—	313013042915	—
Cap (drain) 	—	313166024302	—



Большая библиотека технической документации

<https://splitsystema48.ru/instrukcii-po-ekspluatácii-kondicionerov.html>

каталоги, инструкции, сервисные мануалы, схемы.